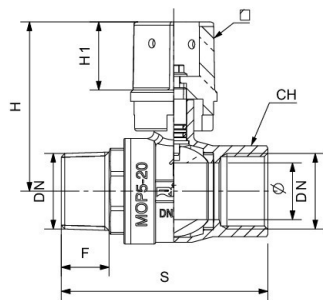




## RIV 4355

Ball valve M/F  
full bore  
brass square cap

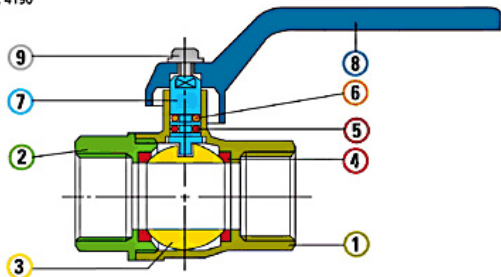
### Tech drawings and tables



DN	Code	Ø	H	S	F	H1	PN	KG	P/box
1/2"	024355000004	15	63	66	16	30	28 64	0,351	10
3/4"	024355000005	20	70	76	17,5	30	28 40	0,492	10
1"	024355000007	25	74	91	21	30	28 40	0,727	10
1 1/4"	024355000008	32	86	101	22,5	30	28 40	0,917	6
1 1/2"	024355000009	40	95	113	22,5	30	28 40	1,288	4
2"	024355000011	50	102	134	26,5	30	28 40	1,971	4
2 1/2"	024355000013	65	121	164	30	30	28 40	3,999	1
3"	024355000014	80	131	187	33	30	28 32	5,418	1
4"	024355000016	100	166	221	40	30	29 25	8,261	1

## Technical data

Art. 4190



### Materials

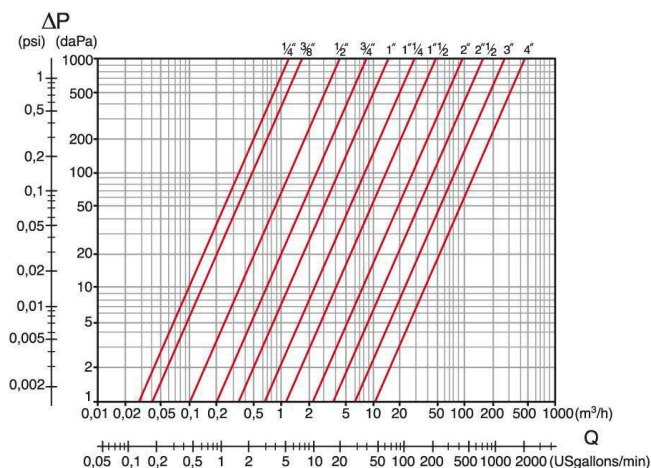
1	Body	Brass	CW617N	Nickel-plated
2	Body end	Brass	CW617N	Nickel-plated
3	Ball	Brass	CW617N	Chrome-plated
4	Seats	P.T.F.E.		
5	O-Ring	FKM		
6	O-Ring	NBR		
7	Stem	Brass	CW614N	
8	Lever	Aluminium		Green
9	Screw	Steel		Zinc-plated

**Connections** F/F: ISO 7/1Rp (parallel), ISO 7/1Rc (tapered), ANSI B1.20.1 (NPT) - M/F: male ISO 7/1R (tapered), female ISO 7/1Rp (parallel) - MM: ISO 7/1R (tapered)

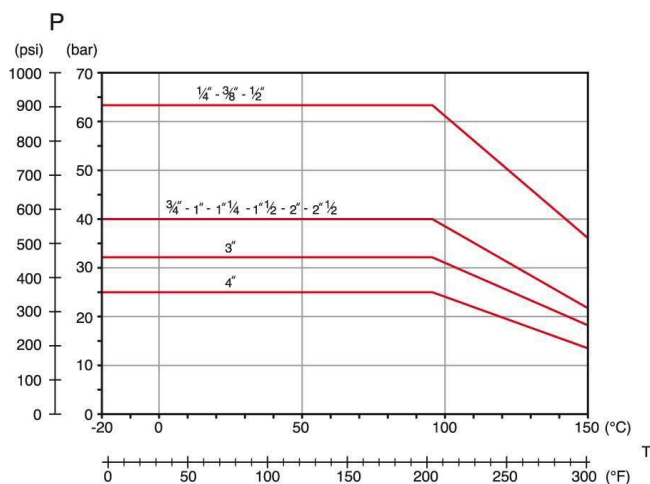
**Limit** -20°C (without liquid) +150°C

**Notes** The max.working pressure (PN) means at a room temperature of about 23°C.

## Pressure Loss Chart



## Temperature/Pressure



## Kv & Cv Coefficients

Size	Kv	Cv
1/4"	4,1	4,7
3/8"	6,3	7,3
1/2"	15,5	17,9
3/4"	31,0	36,0
1"	52,0	60,0
1 1/4"	100,0	116,0
1 1/2"	180,0	206,0
2"	350,0	405,0
2 1/2"	350,0	671,0
3"	1000,0	1157,0
4"	1550,0	1793,0

## Approvals



RIV Rubinetterie Italiane Velatta S.p.A. - Via delle Acacie, 8 Zona Industriale D4 - 28075 GRIGNASCO (NO) - ITALY  
Tel +39 0163 4151 Fax +39 0163 411914 E-mail riv-vg@riv-vg.com Web www.riv-vg.com

Capitale sociale € 516.000 i.v. - Reg. Imprese di Novara N° 00469610026 - R.E.A. di Novara N° 170397  
Numero Meccanografico NO009263 - Codice Fiscale: 00469610026 - Partita IVA: IT 01399720034

